

## Axis<sup>AX</sup>

### Intelligent Switch Monitors

Available in various configurations, compact package (mini), 4" electrical box mount and with or without priority interrupt, the Intelligent Monitor Modules from Advanced offer unique fire alarm industry features that simplify installations and provide superior flexibility.

Designed for installation on Advanced Axis<sup>AX</sup> Series SLC (signaling line circuit), each Intelligent Monitor Module provides an addressable interface for a single contact device or group of contact devices connected via an initiating device circuit (IDC). With the flexibility of the Advanced Axis<sup>AX</sup> Series Intelligent Fire Alarm Control Panels, contact devices can be normally open (N.O.) or normally closed (N.C.) dry contacts. Contact devices range from heat detectors, linear heat detectors, 4-wire conventional smoke detectors, waterflow switches, tamper switches, manual pull stations, switch input points for control, etc.

#### **Mini Switch Monitor (55000-831ADV)**

Designed with flying leads for field wiring, the Mini Switch Monitor can either fit inside the device being monitored, or can be placed in an electrical box in the vicinity of the device being monitored. Based on installation requirements, the Mini Switch Monitor's initiating device circuit (IDC) is capable of being wired Class A or B to the monitored contact device(s). An integral eight position programming DIP switch must be set for device addressing and wiring classification definition. Each Mini Switch Monitor incorporates a red status LED which illuminates steady during active condition. Mini Switch Monitor's can monitor any number of contact devices, however it is recommended not to mix alarm, supervisory, or security contacts on the same monitoring module circuit.

#### **Mini Priority Switch Monitor (55000-830ADV)**

The Mini Priority Switch Monitor is identical to the Mini Switch Monitor with the exception of a priority interrupt feature. The priority interrupt provides the fastest response possible to the Axis<sup>AX</sup> Series Intelligent Fire Alarm Control Panel(s). When the priority interrupt device is in an active state, the monitor's priority interrupt bypasses the normal Axis<sup>AX</sup> Series SLC communications process, and immediately allows the device to communicate with the Axis<sup>AX</sup> Series Intelligent Fire Alarm Control Panel(s). The Mini Priority Switch Monitor is utilized to



#### **Unique Features:**

- Compact Size
- Class A or B Wiring
- Flexible Device Type Programming
- Optional Priority Interrupt
- Cost-Effective & Trouble-Free Installation

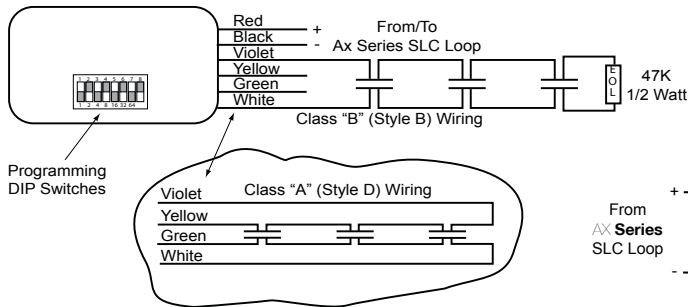
#### **Features:**

- 8 Position DIP Switch Addressing
- Integral Status LED
- 4" or 2 Gang Electrical Box Mounting
- Durable Construction

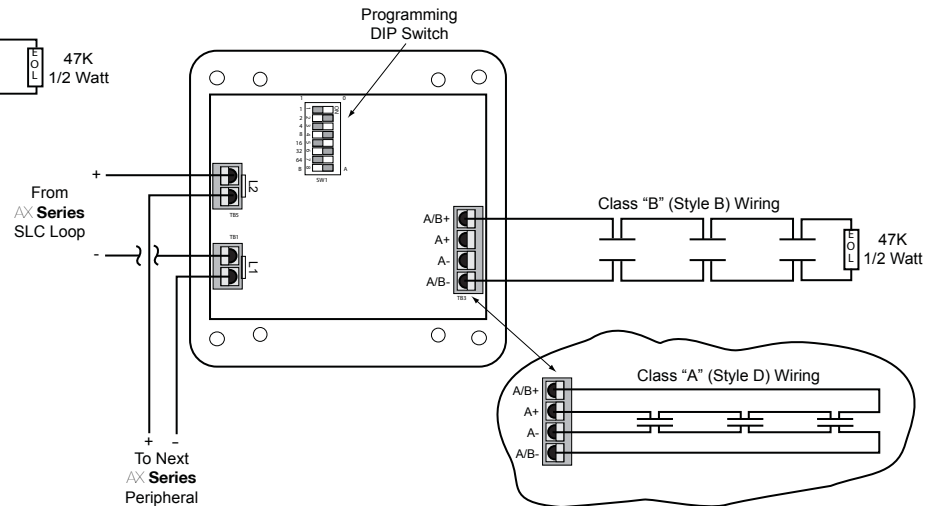
#### **Listings and Approvals:**

- ETL ANSI/UL 864 Listed: 101564744NYM-001
- UL Listed UOXX.S7003 / ML file: S24460
- CSFM Approved: 7300-1713:108
- NYC MEA: 294-95-E

## Mini Switch Monitor (55000-831ADV, -830ADV)



## Switch Monitor (55000-805ADV, -806ADV)



monitor highly critical contact devices such as manual pull stations.

### Switch Monitor (55000-805ADV)

The Switch Monitor is designed to mount to the front of a 4" square or 2-gang electrical box. Based on installation requirements, the Switch Monitor's initiating device circuit (IDC) is capable of being wired Class A or Class B to the monitored contact device(s). An integral eight position programming DIP switch provides programming of device address and wiring classification definition. Each Switch Monitor incorporates a red status LED which illuminates steady during active condition. Switch Monitor's can monitor any number of contact devices, however it is recommended not to mix alarm, supervisory, or security contacts on the same monitoring module circuit.

### Priority Switch Monitor (55000-806ADV)

The Priority Monitor is identical to the Switch Monitor with the exception of a priority interrupt feature. The priority interrupt provides the fastest response possible to the Axis<sup>AX</sup> Series Intelligent Fire Alarm Control Panel(s). When the priority interrupt device is in an active state, the monitor's priority interrupt bypasses the normal Axis<sup>AX</sup> Series SLC communications process, and immediately allows the device to communicate with the Axis<sup>AX</sup> Series Intelligent Fire Alarm Control Panel(s). The Priority Switch Monitor is utilized to monitor highly critical contact devices such as manual pull stations.

### Intelligent Switch Monitor Specifications

Voltage	17-28 VDC, w/Communication Pulses 5-9 VDC
Operating Current	(55000-805ADV, -806ADV, -831ADV, -830ADV)
Quiescent	0.6 mA
Alarm	0.6 mA
w/LED	5.6 mA
Line Impedance	100 Ω
End-of-Line Resistor	47 KΩ, 0.5 Watt (Class "B" only)
Wiring	
Mini Switch Monitor (55000-831ADV, -830ADV)	Wire Leads (18 AWG, 6" Long)
Switch Monitor (55000-805ADV, -806ADV)	Screw In-Out Terminals
Mounting	
Mini Switch Monitor (55000-831ADV, -830ADV)	Inside Electrical Box Mount
Switch Monitor (55000-805ADV, -806ADV)	4" Square or 2-Gang Electrical Box
Dimensions (Diameter & Height)	
Mini Switch Monitor (55000-831ADV, -830ADV)	3"W x 2"H x 3/4"D
Switch Monitor (55000-805ADV, -806ADV)	4 1/2"W x 4 1/2"H x 1"D
Weight	
Mini Switch Monitor (55000-831ADV, -830ADV)	1.5 oz
Switch Monitor (55000-805ADV, -806ADV)	3 oz
Operating Temperature	32°-120°F (0°-49°C)
Humidity	10-93% (non-condensing)

### Ordering Information

55000-831ADV	Mini Switch Monitor
55000-830ADV	Mini Priority Switch Monitor
55000-805ADV	Switch Monitor
55000-806ADV	Priority Switch Monitor



Advanced Fire Systems Inc  
100 South Street, Hopkinton, MA 01748

Tel: (508) 435-9995  
Fax: (508) 435-9990  
Email: usa@advancedco.com  
Web: www.advancedco.com

As our policy is one of constant product improvement the right is therefore reserved to modify product specifications without prior notice.