

Axis^{AX}

Intelligent 120 VAC I/O Module

The Advanced Intelligent 120 VAC I/O Module is an application specific addressable module for use with the Axis^{AX} Series Intelligent Fire Alarm Control Panels. Each module is SLC loop powered, eliminating the need for additional field wiring and external power supplies.

Designed for installation on Advanced Axis^{AX} Series SLC (signaling line circuit), the Intelligent 120 VAC I/O Module provides a single initiating device circuit (IDC) input and an independently controlled Form-C relay contact output, rated 4 Amp @ 120 VAC/30 VDC. The Intelligent 120 VAC I/O Module utilizes the Advanced unique sub-addressing for the independently controlled relay. By sub-addressing the independently controlled relay the Axis^{AX} Series system point capacities are expanded with installation, programming, and commissioning time minimized. The Intelligent 120 VAC I/O Module mounts to the front of a standard 4" square or 2-gang electrical outlet box.

The IDC input of the Intelligent 120 VAC I/O Module is capable of being wired Class A or B and can monitor a single contact device or a group of devices. Contacts can be normally open (N.O.) or normally closed (N.C.) ranging from heat detectors, linear heat detectors, 4-wire conventional smoke detectors, waterflow switches, tamper switches, manual pull stations, control point status, switch control input, or any other supervised input requirement. Though the IDC input can monitor any number of contact devices, it is recommended not to mix alarm, supervisory, or security contacts on the same IDC module circuit.

Compatible with the Axis^{AX} Series Dynamix I/O relationship programming, the relay output of the Intelligent 120 VAC I/O Module can be individually assigned to any input or output relationship, output group, timing function, gated function, invert operation, etc. to perform project specific control operations. Ideally suitable for HVAC control/shutdown or similar ancillary functions, the Intelligent 120 VAC I/O Module relay contact is rated 120 VAC/30 VDC at 4 Amp (resistive).



Unique Features:

- Switches 120 VAC @ 4 Amp
- SLC Loop-Powered & Sub-Addressable
- 4" Square or 2-Gang Electrical Box Mounting
- Flexible Programming
- Durable Construction
- Cost-Effective & Trouble-Free Installation

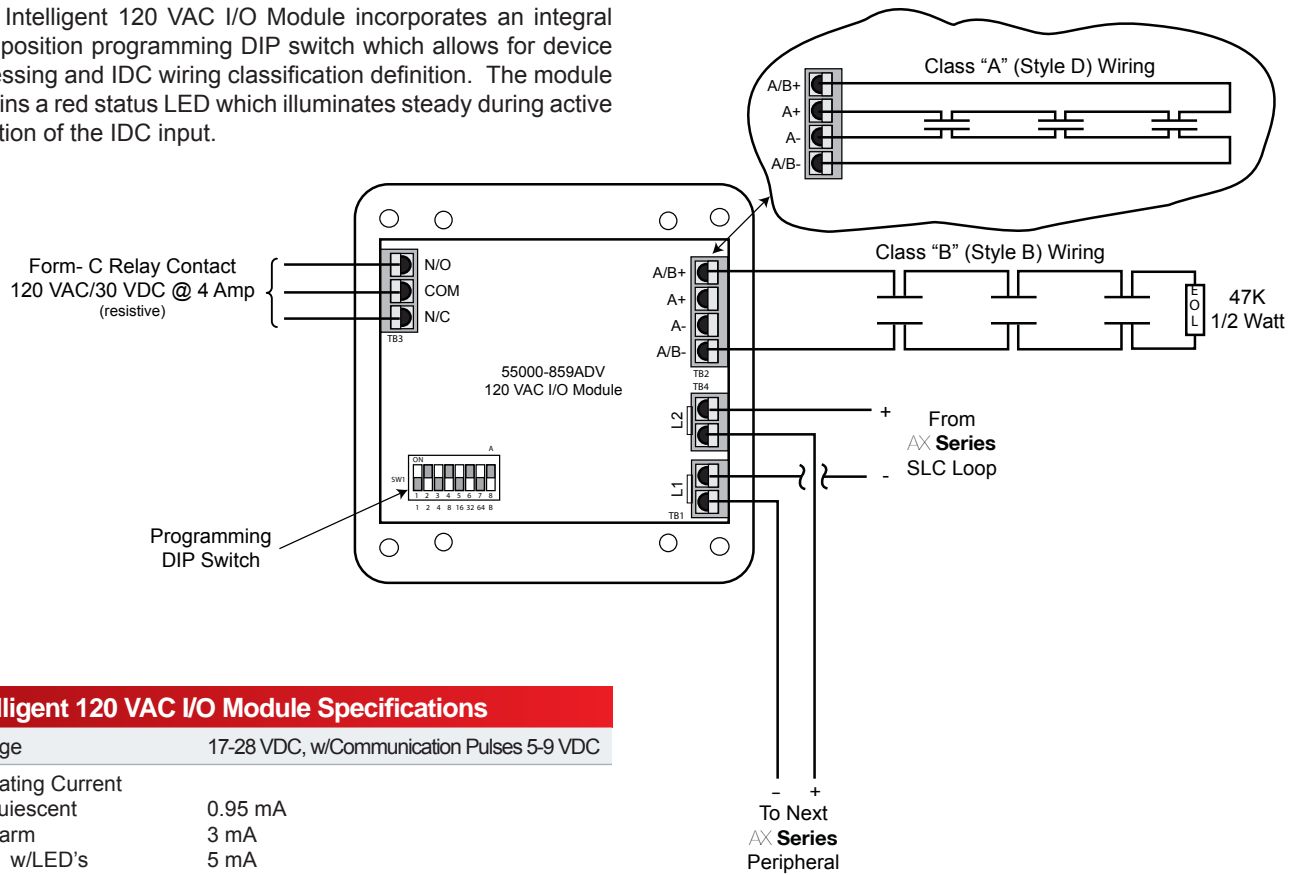
Features:

- Supervised Initiating Device Circuit (IDC)
- Class A or B Wiring
- Independently Controlled 120 VAC/30 VDC Relay Contact
- Axis^{AX} Series Dynamix I/O Relationship Programming
- IDC Activation Status LED

Listings and Approvals:

- ETL ANSI/UL 864 Listed: 101564744NYM-001
- UL Listed UOXX.S7003
- CSFM Approved: 7300-1713:114

Each Intelligent 120 VAC I/O Module incorporates an integral eight position programming DIP switch which allows for device addressing and IDC wiring classification definition. The module contains a red status LED which illuminates steady during active condition of the IDC input.



Intelligent 120 VAC I/O Module Specifications

Voltage	17-28 VDC, w/Communication Pulses 5-9 VDC
Operating Current	
Quiescent	0.95 mA
Alarm	3 mA
w/LED's	5 mA
Line Impedance	100 Ω
Wiring Classification	Class A or Class B
End-of-Line Resistor	47 KΩ, 0.5 Watt (Class "B" only)
Relay Output	Form-C
Rating	120 VAC/30 VDC @ 4 Amp (resistive)
Wiring	Screw In-Out Terminals
Mounting	4" Square or 2-Gang Electrical Outlet Box
Dimensions (Diameter & Height)	4 1/2"W x 4 1/2"H x 1"D
Weight	2.8 oz
Operating Temperature	32°-120° F (0°-49° C)
Humidity	10-93% (non-condensing)

Ordering Information

55000-859ADV	Intelligent 120 VAC I/O Module
45681-157ADV	120 VAC Switching Accessory Foam Pad



Advanced Fire Systems Inc
100 South Street, Hopkinton, MA 01748

Tel: (508) 435-9995
Fax: (508) 435-9990
Email: usa@advancedco.com
Web: www.advancedco.com

As our policy is one of constant product improvement the right is therefore reserved to modify product specifications without prior notice.