

Outdoor Commander Series

Evacuation Signals WGEC24 / WGES24

The Outdoor Commander Series offers dependable visible and/or audible alarms for all outdoor needs.

Included with the WGE Series is the GOE or GOELP outdoor enclosure. The enclosure is made of high quality Lexan material, providing protection from weather related conditions and allowing the necessary full candela output. This highly constructed enclosure meets various installation requirements including deterring moisture from entering the enclosures.

The Outdoor Series is equipped with the 4" mounting plate which incorporates the Super -Slide™ feature that allows the installer to easily test for supervision. The product also features a locking mechanism which secures the product to the bracket without any screws showing.

The WGE Series also features the Checkmate™ - Instant Voltage Verification feature which allows the installer to check the voltage without removing the signal.

The WGE Series strobe has a minimal operation current and has a minimum flash rate of 1Hz and can vary up to 2Hz regardless of input voltage.

The WGE Series appliances are UL 464 and UL 1638 listed for use with fire protective systems and are warranted for three years from date of purchase.



WGEC24 & WGES24 shipped with the GOELP or GOE outdoor enclosure

Unique Features:

- Shipped with UL1638 Listed 75 Candela Strobe
- Super-Slide™ Bracket - Ease of Supervision Testing
- Checkmate™ - Instant Voltage Verification
- Switch Selection for High or Low dBA
- Tamperproof Re-entrant Grill

Features:

- Unit Dimensions:
 - GOELP: 5.75" high x 4.75" wide x 3.25" deep
 - GOE: 5.75" high x 4.75" wide x 4.18" deep
- Outdoor Horn requires GEH24 and GOELP/GOE
- Lower installation and operating costs
- Switch for Mechanical and 2400Hz Tone
- Switch for Continuous Tone
- GOELP/GOE Made of Clear Lexan®
- Faceplate Available in Red or Off-White

Listings and Approvals:

- UL 464 & UL 1638 Listed
- CSFM: 7135-0569:122 (WGEC)
7125-0569:127 (WGES)
7300-0569:124 (Enclosure)
- BS+A/MEA: 285-91-E-XVI

GEH24 - 24 Volt Low Profile Evacuation Horn

Model Number	Part Number	Nominal Voltage	Reverberant dBA @ 10ft. Per UL 464 ¹	In Anechoic Room dBA @10ft.
GEH24-R	904-1205-002	24 VDC	70-82	100
GEH24-W	904-1207-002	24 VDC	70-82	100

NOTE: Must order the GOE or GOELP separately when using the GEH24 in an outdoor application.

WGES24 - 24 Volt Low Profile Evacuation Outdoor Strobe

Model Number	Part Number	Nominal Voltage	Candela (UL 1638)
WGES24-75WR	904-1219-002	24 VDC	75
WGES24-75WW	904-1220-002	24 VDC	75
WGES24-75PWR	904-1247-002	24 VDC	75
WGES24-75PWW	904-1248-002	24 VDC	75
WGES24-75WRLP	904-1261-002	24 VDC	75
WGES24-75WWLP	904-1263-002	24 VDC	75
WGES24-75PWRLP	904-1262-002	24 VDC	75
WGES24-75PWWLP	904-1264-002	24 VDC	75

Model designations:

"W" = Wall Mount
 "R" = Red Faceplate
 "W" = Off-White Faceplate
 "P" = Plain (no lettering)
 Plain units are non-returnable.
 LP" = Low Profile (GOELP Enclosure)

WGES24 and WGEC24 shipped with the GOE or GOELP Outdoor Enclosure

WGEC24 - 24 Volt Low Profile Evacuation Outdoor Horn/Strobe

Model Number	Part Number	Nominal Voltage	Candela (UL 1638)	Reverberant dBA @ 10ft Per UL 464	In Anechoic Room dBA @ 10ft.
WGEC24-75WR	904-1217-002	24 VDC	75	70-82	100
WGEC24-75WW	904-1218-002	24 VDC	75	70-82	100
WGEC24-75PWR	904-1245-002	24 VDC	75	70-82	100
WGEC24-75PWW	904-1246-002	24 VDC	75	70-82	100
WGEC24-75WRLP	904-1257-002	24 VDC	75	70-82	100
WGEC24-75WWLP	904-1259-002	24 VDC	75	70-82	100
WGEC24-75PWRLP	904-1258-002	24 VDC	75	70-82	100
WGEC24-75PWWLP	904-1260-002	24 VDC	75	70-82	100

Notes:

- The WGE Series is listed for outdoor use. Indoor Operating Temperature: 32° to 120°F (0° to 49°C). Outdoor Operating Temperature: -31° to 150°F (-35° to 66°C).
- For nominal and peak current across UL regulated voltage range for filtered DC power and unfiltered (FWR [Full Wave Rectified]) power, see installation manual.
- Gentex does not recommend using a coded or pulsing signaling circuit with any of our strobe products

WGE Series Product Strobe Current Ratings	
Candela	75cd
24 VDC	112mA
UL Max ¹	180mA

WGE Series Product Horn Current Ratings			
Horn Mode	Minimum dBA @ 10ft. per UL464 (HIGH)	Minimum dBA @ 10ft. per UL464 (LOW)	Regulated 24VDC Max. Operating @ High Setting (mA)
Temp 3 2400Hz	78	71*	28
Temp 3 Mechanical	76	70*	25
Temp 3 Chime	70*	66*	15
Continuous 2400Hz	81	74*	28
Continuous Mechanical	80	72*	25
Continuous Chime	70*	66*	15
Whoop	82	69*	56

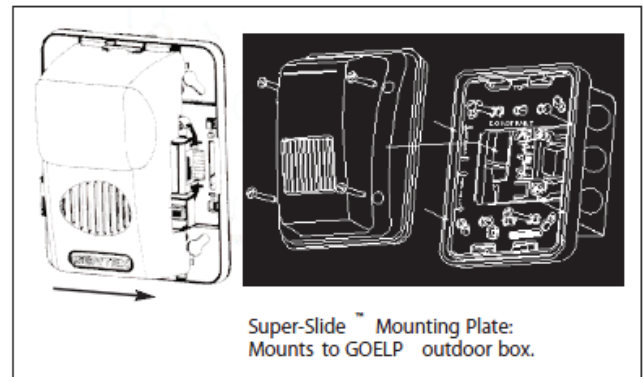
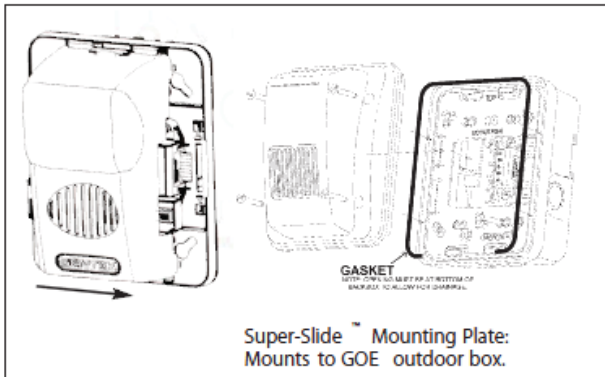
*Operating the horn in this mode at this voltage will result in not meeting the minimum UL reverberant sound level required for public mode fire protection service. These settings are acceptable only for private mode fire alarm use. Use the high dBA setting for public mode application (not applicable when using the chime tone. The chime tone is always private mode).

Notes: The sound output for the temporal 3 tone is rated lower since the time the horn is off is averaged into the sound output rating. While the horn is producing a tone in the temporal 3 mode its sound pressure is the same as the continuous mode.

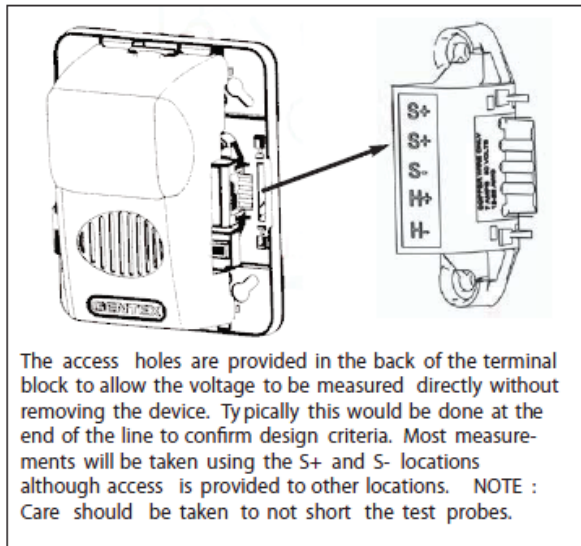
To obtain the horn/strobe current draw, add the strobe current draw and the horn current draw.

¹ RMS current ratings are per UL average RMS method. UL max current rating is the maximum RMS current within the listed voltage range (16-33VDC for 24VDC units) (8-17VDC for 12VDC units). For strobes the UL max current is usually at the minimum listed voltage (16VDC for 24VDC units) (8VDC for 12VDC units). For audibles the max current is usually at the maximum listed voltage. For unfiltered FWR ratings, see installation manual.

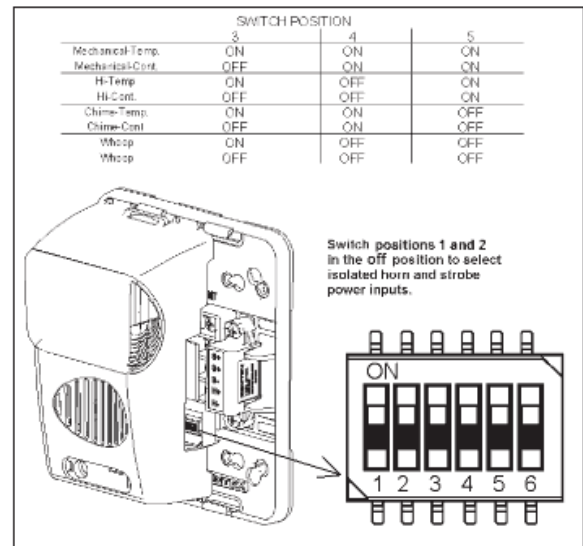
Mounting Super-Slide™



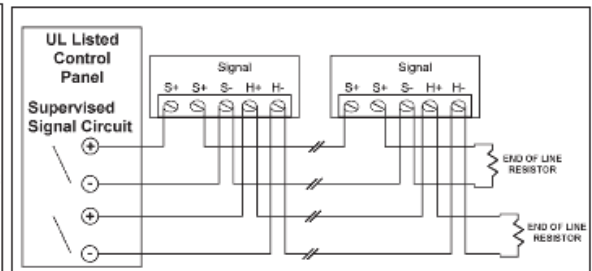
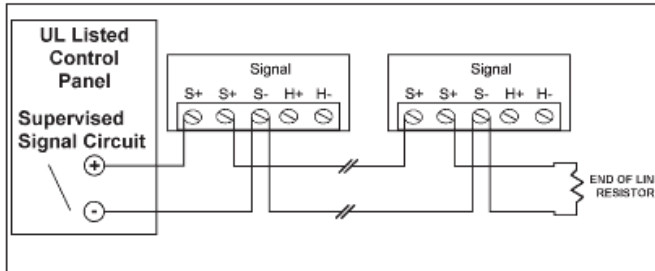
Checkmate™ - Instant Voltage Verification



Switch Locations

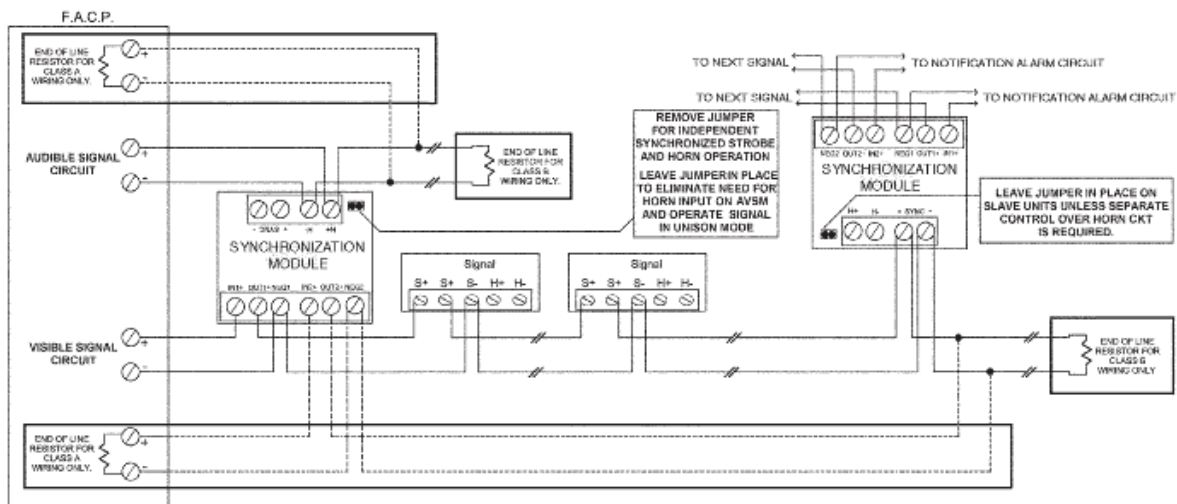


Conventional WGE Series Wiring Diagrams



WGEC24/ WGES24 S E R I E S

Wiring Diagram WGE Series with Gentex Synchronization Module



Note: See Technical Bulletin 015 for proper synchronization module for application.

Architect & Engineering Specifications:

The audible and/or visible signal shall be Gentex WGE Series or approved equal and shall be listed by Underwriters Laboratories Inc. per UL 1638 and/or UL 464. The notification appliance shall also be listed with the California State Fire Marshal (CSFM) and the Bureau of Standards and Appeals (NYC).

The notification appliance (combination audible/visible) shall produce a peak sound output of 100dBA or greater as measured in an anechoic chamber. The signaling appliance shall also have the capability to silence the audible signal while leaving the visible signal energized with the use of a single pair of power wires. Additionally, the user shall be able to select either continuous or temporal tone output with the temporal signal having the ability to be synchronized.

The audible/visible and visible signaling appliance shall also maintain a minimum flash rate of 1Hz or up to 2 Hz regardless of power input voltage. The appliance shall have an operating current of 112mA or less for the 75Cd strobe circuit. The appliance shall also be capable of meeting the candela requirements of the ADA (75cd).

The appliance shall be polarized to allow for electrical supervision of the system wiring. The unit shall be provided with a mounting bracket with terminals with barriers for input/output wiring and be able to mount to a single gang or double gang box or double workbox without the use of an adapter plate. The unit shall have an input voltage range of 16-33 volts with either direct current of full wave rectified power for 24 volt models.

The appliance shall be capable of testing supervision without disconnecting wires. Also the appliance shall be capable of mounting to a surface back box. The unit shall also be able to verify voltage at the unit without removing unit.

The appliance has extended temperature range of -31° to 150°F (-35° to 66° C). The appliance shall satisfy virtually all outdoor and severe environment applications. The GOE Enclosure includes a gasket that must be inserted between the box and mounting bracket. There are drain holes in the back box to allow for drainage, the seal on the GOE Enclosure is not water tight. The GOELP Enclosure includes a weather seal for mounting to wall and intended for use with universal electrical box. To allow for drainage, bottom edge of enclosure is not water tight.



Advanced Fire Systems Inc
100 South Street, Hopkinton, MA 01748

Tel: (508) 435-9995
Fax: (508) 435-9990
Email: usa@advancedco.com
Web: www.advancedco.com

As our policy is one of constant product improvement the right is therefore reserved to modify product specifications without prior notice.